

Torque Limiting Knurled Knobs / Knob Screws

SPECIFICATION

Knob
 Aluminum
 Black anodized
 Torque mechanism
 Steel, hardened
 Other parts
 Steel, blackened
 Cover cap
 Plastic, light gray

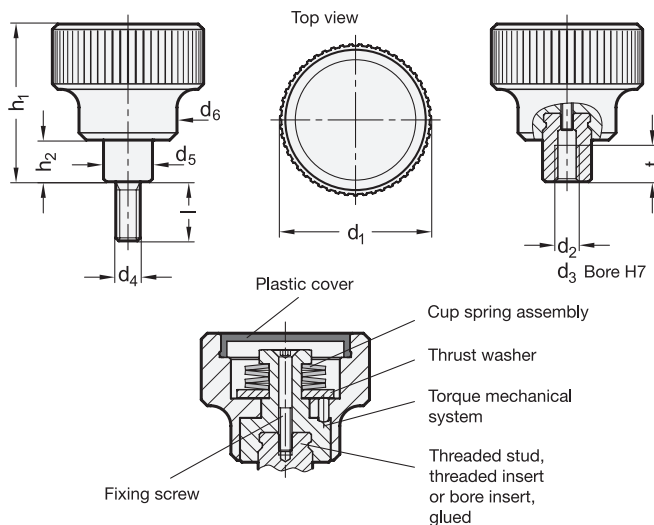
INFORMATION

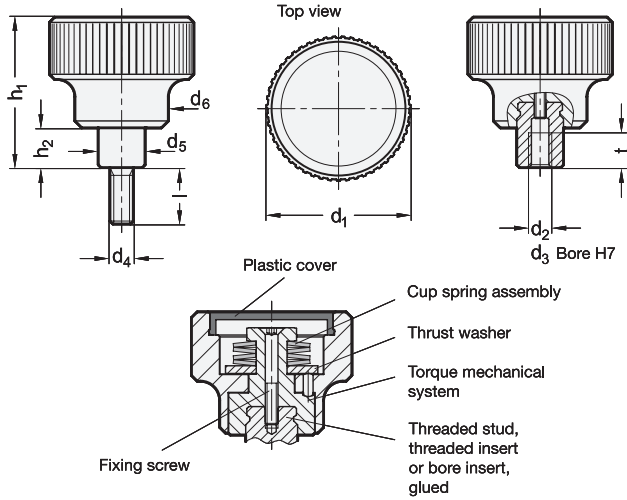
Torque knurled knobs / knob screws GN 3663 are used when the manually applied torque is to be limited.

When turned clockwise, the torque mechanical system of the knurled knob triggers an „over-engagement“ as soon as the specified torque is reached. When turning counterclockwise, the mechanical system locks such that the torque is not limited. For example, when tightening, this will ensure that the maximum permissible torque is not exceeded. On the other hand, the torque necessary for releasing will always be transferred reliably.

ON REQUEST

- Other dimensions of bore inserts, threaded inserts or threaded studs analog GN 300 (see page 320)
- Other inserts with special threaded studs analog GN 306 (see page 340)
- Other torques
- Torque limiting turning counterclockwise or turning counterclockwise and clockwise



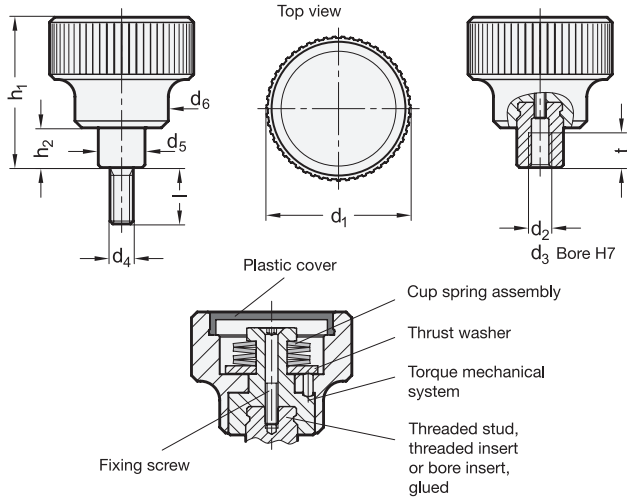


GN 3663-with female thread

Description	d1	d2	d3 H7	d5	d6	h1	h2	t min.	Torque ±10% in Nm	⚖
GN 3663-27-B5-0.7	27	-	B 5	10	19	34	8.5	7	0.7	38
GN 3663-27-B5-1	27	-	B 5	10	19	34	8.5	7	1	39
GN 3663-27-B5-1.5	27	-	B 5	10	19	34	8.5	7	1.5	40
GN 3663-27-B6-0.7	27	-	B 6	10	19	34	8.5	9	0.7	50
GN 3663-27-B6-1	27	-	B 6	10	19	34	8.5	9	1	51
GN 3663-27-B6-1.5	27	-	B 6	10	19	34	8.5	9	1.5	52
GN 3663-34-B5-1	34	-	B 5	10	21	36.5	8.5	7	1	57
GN 3663-34-B5-1.5	34	-	B 5	10	21	36.5	8.5	7	1.5	58
GN 3663-34-B5-2.2	34	-	B 5	10	21	36.5	8.5	7	2.2	59
GN 3663-34-B6-1	34	-	B 6	10	21	36.5	8.5	9	1	56
GN 3663-34-B6-1.5	34	-	B 6	10	21	36.5	8.5	9	1.5	57
GN 3663-34-B6-2.2	34	-	B 6	10	21	36.5	8.5	9	2.2	58
GN 3663-42-B6-2	42	-	B 6	13.5	27	43	11	11	2	108
GN 3663-42-B6-2.5	42	-	B 6	13.5	27	43	11	11	2.5	109
GN 3663-42-B6-3.2	42	-	B 6	13.5	27	43	11	11	3.2	110
GN 3663-42-B8-2	42	-	B 8	13.5	27	43	11	11	2	106
GN 3663-42-B8-2.5	42	-	B 8	13.5	27	43	11	11	2.5	107
GN 3663-42-B8-3.2	42	-	B 8	13.5	27	43	11	11	3.2	108
GN 3663-52-B10-2.5	52	-	B 10	19	32	54	15.5	17	2.5	208
GN 3663-52-B10-3	52	-	B 10	19	32	54	15.5	17	3	209
GN 3663-52-B10-4	52	-	B 10	19	32	54	15.5	17	4	210
GN 3663-52-B12-2.5	52	-	B 12	19	32	54	15.5	17	2.5	209
GN 3663-52-B12-3	52	-	B 12	19	32	54	15.5	17	3	210
GN 3663-52-B12-4	52	-	B 12	19	32	54	15.5	17	4	211
GN 3663-62-B10-3	62	-	B 10	19	33	54	15.5	17	3	241
GN 3663-62-B10-4	62	-	B 10	19	33	54	15.5	17	4	242
GN 3663-62-B10-5.5	62	-	B 10	19	33	54	15.5	17	5.5	243
GN 3663-62-B12-3	62	-	B 12	19	33	54	15.5	17	3	235
GN 3663-62-B12-4	62	-	B 12	19	33	54	15.5	17	4	236
GN 3663-62-B12-5.5	62	-	B 12	19	33	54	15.5	17	5.5	237
GN 3663-27-M3-0.7	27	M 3	-	10	19	34	8.5	7	0.7	150
GN 3663-27-M3-1	27	M 3	-	10	19	34	8.5	7	1	160
GN 3663-27-M3-1.5	27	M 3	-	10	19	34	8.5	7	1.5	200
GN 3663-27-M4-0.7	27	M 4	-	10	19	34	8.5	9	0.7	40
GN 3663-27-M4-1	27	M 4	-	10	19	34	8.5	9	1	41
GN 3663-27-M4-1.5	27	M 4	-	10	19	34	8.5	9	1.5	42
GN 3663-27-M5-0.7	27	M 5	-	10	19	34	8.5	9	0.7	39

GN 3663-with female thread

Description	d1	d2	d3 H7	d5	d6	h1	h2	t min.	Torque ±10% in Nm	⚖
GN 3663-27-M5-1	27	M 5	-	10	19	34	8.5	9	1	40
GN 3663-27-M5-1.5	27	M 5	-	10	19	34	8.5	9	1.5	41
GN 3663-27-M6-0.7	27	M 6	-	10	19	34	8.5	9	0.7	40
GN 3663-27-M6-1	27	M 6	-	10	19	34	8.5	9	1	41
GN 3663-27-M6-1.5	27	M 6	-	10	19	34	8.5	9	1.5	42
GN 3663-34-M3-1	34	M 3	-	10	21	36.5	8.5	7	1	58
GN 3663-34-M3-1.5	34	M 3	-	10	21	36.5	8.5	7	1.5	59
GN 3663-34-M3-2.2	34	M 3	-	10	21	36.5	8.5	7	2.2	59
GN 3663-34-M4-1	34	M 4	-	10	21	36.5	8.5	9	1	58
GN 3663-34-M4-1.5	34	M 4	-	10	21	36.5	8.5	9	1.5	59
GN 3663-34-M4-2.2	34	M 4	-	10	21	36.5	8.5	9	2.2	60
GN 3663-34-M5-1	34	M 5	-	10	21	36.5	8.5	9	1	57
GN 3663-34-M5-1.5	34	M 5	-	10	21	36.5	8.5	9	1.5	58
GN 3663-34-M5-2.2	34	M 5	-	10	21	36.5	8.5	9	2.2	59
GN 3663-34-M6-1	34	M 6	-	10	21	36.5	8.5	9	1.5	58
GN 3663-34-M6-1.5	34	M 6	-	10	21	36.5	8.5	9	1.5	59
GN 3663-34-M6-2.2	34	M 6	-	10	21	36.5	8.5	9	2.2	60
GN 3663-42-M6-2	42	M 6	-	13.5	27	43	11	11	2	109
GN 3663-42-M6-2.5	42	M 6	-	13.5	27	43	11	11	2.5	110
GN 3663-42-M6-3.2	42	M 6	-	13.5	27	43	11	11	3.2	111
GN 3663-42-M8-2	42	M 8	-	13.5	27	43	11	11	2	107
GN 3663-42-M8-2.5	42	M 8	-	13.5	27	43	11	11	2.5	108
GN 3663-42-M8-3.2	42	M 8	-	13.5	27	43	11	11	3.2	109
GN 3663-52-M10-2.5	52	M 10	-	19	32	54	15.5	17	2.5	208
GN 3663-52-M10-3	52	M 10	-	19	32	54	15.5	17	3	209
GN 3663-52-M10-4	52	M 10	-	19	32	54	15.5	17	4	210
GN 3663-52-M12-2.5	52	M 12	-	19	32	54	15.5	17	2.5	209
GN 3663-52-M12-3	52	M 12	-	19	32	54	15.5	17	3	210
GN 3663-52-M12-4	52	M 12	-	19	32	54	15.5	17	4	211
GN 3663-62-M10-3	62	M 10	-	19	33	54	15.5	17	3	240
GN 3663-62-M10-4	62	M 10	-	19	33	54	15.5	17	4	241
GN 3663-62-M10-5.5	62	M 10	-	19	33	54	15.5	17	5.5	242
GN 3663-62-M12-3	62	M 12	-	19	33	54	15.5	17	3	235
GN 3663-62-M12-4	62	M 12	-	19	33	54	15.5	17	4	236
GN 3663-62-M12-5.5	62	M 12	-	19	33	54	15.5	17	5.5	237



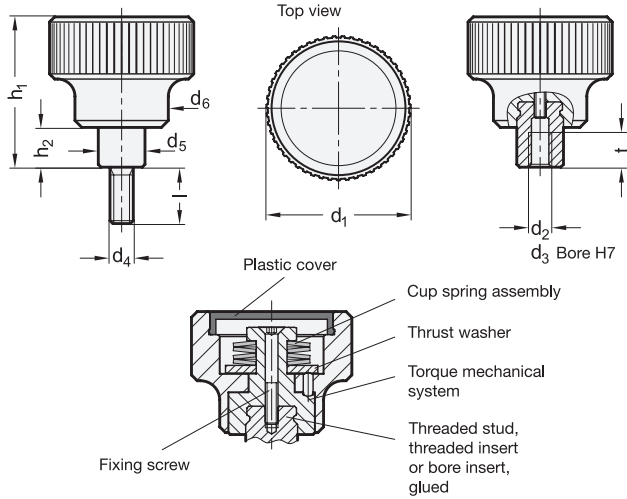
GN 3663-with threaded bolt

Description	d1	d4	l	d5	d6	h1	h2	Torque ±10% in Nm	⚖️
GN 3663-27-M4-12-0.7	27	M4	12	10	19	34	8.5	0.7	43
GN 3663-27-M4-12-1	27	M4	12	10	19	34	8.5	1	44
GN 3663-27-M4-12-1.5	27	M4	12	10	19	34	8.5	1.5	45
GN 3663-27-M4-16-0.7	27	M4	16	10	19	34	8.5	0.7	44
GN 3663-27-M4-16-1	27	M4	16	10	19	34	8.5	1	45
GN 3663-27-M4-16-1.5	27	M4	16	10	19	34	8.5	1.5	46
GN 3663-27-M4-20-0.7	27	M4	20	10	19	34	8.5	0.7	45
GN 3663-27-M4-20-1	27	M4	20	10	19	34	8.5	1	46
GN 3663-27-M4-20-1.5	27	M4	20	10	19	34	8.5	1.5	47
GN 3663-27-M4-25-0.7	27	M4	25	10	19	34	8.5	0.7	46
GN 3663-27-M4-25-1	27	M4	25	10	19	34	8.5	1	47
GN 3663-27-M4-25-1.5	27	M4	25	10	19	34	8.5	1.5	48
GN 3663-27-M4-32-0.7	27	M4	32	10	19	34	8.5	0.7	47
GN 3663-27-M4-32-1	27	M4	32	10	19	34	8.5	1	48
GN 3663-27-M4-32-1.5	27	M4	32	10	19	34	8.5	1.5	49
GN 3663-27-M5-12-0.7	27	M5	12	10	19	34	8.5	0.7	44
GN 3663-27-M5-12-1	27	M5	12	10	19	34	8.5	1	45
GN 3663-27-M5-12-1.5	27	M5	12	10	19	34	8.5	1.5	46
GN 3663-27-M5-16-0.7	27	M5	16	10	19	34	8.5	0.7	45
GN 3663-27-M5-16-1	27	M5	16	10	19	34	8.5	1	46
GN 3663-27-M5-16-1.5	27	M5	16	10	19	34	8.5	1.5	47
GN 3663-27-M5-20-0.7	27	M5	20	10	19	34	8.5	0.7	46
GN 3663-27-M5-20-1	27	M5	20	10	19	34	8.5	1	47
GN 3663-27-M5-20-1.5	27	M5	20	10	19	34	8.5	1.5	48
GN 3663-27-M5-25-0.7	27	M5	25	10	19	34	8.5	0.7	47
GN 3663-27-M5-25-1	27	M5	25	10	19	34	8.5	1	48
GN 3663-27-M5-25-1.5	27	M5	25	10	19	34	8.5	1.5	49
GN 3663-27-M5-32-0.7	27	M5	32	10	19	34	8.5	0.7	48
GN 3663-27-M5-32-1	27	M5	32	10	19	34	8.5	1	49
GN 3663-27-M5-32-1.5	27	M5	32	10	19	34	8.5	1.5	50
GN 3663-34-M5-12-1	34	M5	12	10	21	36.5	8.5	1	62
GN 3663-34-M5-12-1.5	34	M5	12	10	21	36.5	8.5	1.5	63
GN 3663-34-M5-12-2.2	34	M5	12	10	21	36.5	8.5	2.2	64
GN 3663-34-M5-16-1	34	M5	16	10	21	36.5	8.5	1	63
GN 3663-34-M5-16-1.5	34	M5	16	10	21	36.5	8.5	1.5	64

GN 3663-with threaded bolt

Description	d1	d4	l	d5	d6	h1	h2	Torque ±10% in Nm	⚖️
GN 3663-34-M5-16-2.2	34	M5	16	10	21	36.5	8.5	2.2	65
GN 3663-34-M5-20-1	34	M5	20	10	21	36.5	8.5	1	64
GN 3663-34-M5-20-1.5	34	M5	20	10	21	36.5	8.5	1.5	65
GN 3663-34-M5-20-2.2	34	M5	20	10	21	36.5	8.5	2.2	66
GN 3663-34-M5-25-1	34	M5	25	10	21	36.5	8.5	1	65
GN 3663-34-M5-25-1.5	34	M5	25	10	21	36.5	8.5	1.5	66
GN 3663-34-M5-25-2.2	34	M5	25	10	21	36.5	8.5	2.2	67
GN 3663-34-M5-32-1	34	M5	32	10	21	36.5	8.5	1	66
GN 3663-34-M5-32-1.5	34	M5	32	10	21	36.5	8.5	1.5	67
GN 3663-34-M5-32-2.2	34	M5	32	10	21	36.5	8.5	2.2	68
GN 3663-34-M6-12-1	34	M6	12	10	21	36.5	8.5	1	63
GN 3663-34-M6-12-1.5	34	M6	12	10	21	36.5	8.5	1.5	64
GN 3663-34-M6-12-2.2	34	M6	12	10	21	36.5	8.5	2.2	65
GN 3663-34-M6-16-1	34	M6	16	10	21	36.5	8.5	1	64
GN 3663-34-M6-16-1.5	34	M6	16	10	21	36.5	8.5	1.5	65
GN 3663-34-M6-16-2.2	34	M6	16	10	21	36.5	8.5	2.2	66
GN 3663-34-M6-20-1	34	M6	20	10	21	36.5	8.5	1	65
GN 3663-34-M6-20-1.5	34	M6	20	10	21	36.5	8.5	1.5	66
GN 3663-34-M6-20-2.2	34	M6	20	10	21	36.5	8.5	2.2	67
GN 3663-34-M6-25-1	34	M6	25	10	21	36.5	8.5	1	66
GN 3663-34-M6-25-1.5	34	M6	25	10	21	36.5	8.5	1.5	67
GN 3663-34-M6-25-2.2	34	M6	25	10	21	36.5	8.5	2.2	68
GN 3663-34-M6-32-1	34	M6	32	10	21	36.5	8.5	1	67
GN 3663-34-M6-32-1.5	34	M6	32	10	21	36.5	8.5	1.5	68
GN 3663-34-M6-32-2.2	34	M6	32	10	21	36.5	8.5	2.2	69
GN 3663-42-M8-16-2	42	M8	16	13.5	27	43	11	2	93
GN 3663-42-M8-16-2.5	42	M8	16	13.5	27	43	11	2.5	94
GN 3663-42-M8-16-3.2	42	M8	16	13.5	27	43	11	3.2	95
GN 3663-42-M8-20-2	42	M8	20	13.5	27	43	11	2	94
GN 3663-42-M8-20-2.5	42	M8	20	13.5	27	43	11	2.5	95
GN 3663-42-M8-20-3.2	42	M8	20	13.5	27	43	11	3.2	96
GN 3663-42-M8-25-2	42	M8	25	13.5	27	43	11	2	95
GN 3663-42-M8-25-2.5	42	M8	25	13.5	27	43	11	2.5	96
GN 3663-42-M8-25-3.2	42	M8	25	13.5	27	43	11	3.2	97





GN 3663-with threaded bolt

Description	d1	d4	l	d5	d6	h1	h2	Torque ±10% in Nm	⚖
GN 3663-42-M8-32-2	42	M 8	32	13.5	27	43	11	2	96
GN 3663-42-M8-32-2.5	42	M 8	32	13.5	27	43	11	2.5	97
GN 3663-42-M8-32-3.2	42	M 8	32	13.5	27	43	11	3.2	98
GN 3663-42-M8-40-2	42	M 8	40	13.5	27	43	11	2	100
GN 3663-42-M8-40-2.5	42	M 8	40	13.5	27	43	11	2.5	101
GN 3663-42-M8-40-3.2	42	M 8	40	13.5	27	43	11	3.2	102
GN 3663-42-M10-20-2	42	M 10	20	13.5	27	43	11	2	101
GN 3663-42-M10-20-2.5	42	M 10	20	13.5	27	43	11	2.5	102
GN 3663-42-M10-20-3.2	42	M 10	20	13.5	27	43	11	3.2	103
GN 3663-42-M10-25-2	42	M 10	25	13.5	27	43	11	2	102
GN 3663-42-M10-25-2.5	42	M 10	25	13.5	27	43	11	2.5	103
GN 3663-42-M10-25-3.2	42	M 10	25	13.5	27	43	11	3.2	104
GN 3663-42-M10-32-2	42	M 10	32	13.5	27	43	11	2	126
GN 3663-42-M10-32-2.5	42	M 10	32	13.5	27	43	11	2.5	127
GN 3663-42-M10-32-3.2	42	M 10	32	13.5	27	43	11	3.2	128
GN 3663-42-M10-40-2	42	M 10	40	13.5	27	43	11	2	129
GN 3663-42-M10-40-2.5	42	M 10	40	13.5	27	43	11	2.5	128
GN 3663-42-M10-40-3.2	42	M 10	40	13.5	27	43	11	3.2	130
GN 3663-42-M10-50-2	42	M 10	50	13.5	27	43	11	2	133
GN 3663-42-M10-50-2.5	42	M 10	50	13.5	27	43	11	2.5	134
GN 3663-42-M10-50-3.2	42	M 10	50	13.5	27	43	11	3.2	135
GN 3663-52-M10-25-2.5	52	M 10	25	19	32	54	15.5	2.5	150
GN 3663-52-M10-25-3	52	M 10	25	19	32	54	15.5	3	160
GN 3663-52-M10-25-4	52	M 10	25	19	32	54	15.5	4	165
GN 3663-52-M10-32-2.5	52	M 10	32	19	32	54	15.5	2.5	170
GN 3663-52-M10-32-3	52	M 10	32	19	32	54	15.5	3	175
GN 3663-52-M10-32-4	52	M 10	32	19	32	54	15.5	4	180
GN 3663-52-M10-40-2.5	52	M 10	40	19	32	54	15.5	2.5	170
GN 3663-52-M10-40-3	52	M 10	40	19	32	54	15.5	3	175
GN 3663-52-M10-40-4	52	M 10	40	19	32	54	15.5	4	180
GN 3663-52-M10-50-2.5	52	M 10	50	19	32	54	15.5	2.5	180
GN 3663-52-M10-50-3	52	M 10	50	19	32	54	15.5	3	185
GN 3663-52-M10-50-4	52	M 10	63	19	32	54	15.5	4	190
GN 3663-52-M10-63-2.5	52	M 10	63	19	32	54	15.5	2.5	255
GN 3663-52-M10-63-3	52	M 10	63	19	32	54	15.5	3	256
GN 3663-52-M10-63-4	52	M 10	63	19	32	54	15.5	4	257
GN 3663-52-M12-25-2.5	52	M 12	25	19	32	54	15.5	2.5	243
GN 3663-52-M12-25-3	52	M 12	25	19	32	54	15.5	3	244
GN 3663-52-M12-25-4	52	M 12	25	19	32	54	15.5	4	245
GN 3663-52-M12-32-2.5	52	M 12	32	19	32	54	15.5	2.5	247
GN 3663-52-M12-32-3	52	M 12	32	19	32	54	15.5	3	248

GN 3663-with threaded bolt

Description	d1	d4	l	d5	d6	h1	h2	Torque ±10% in Nm	⚖
GN 3663-52-M12-32-4	52	M 12	32	19	32	54	15.5	4	249
GN 3663-52-M12-40-2.5	52	M 12	40	19	32	54	15.5	2.5	252
GN 3663-52-M12-40-3	52	M 12	40	19	32	54	15.5	3	254
GN 3663-52-M12-40-4	52	M 12	40	19	32	54	15.5	4	256
GN 3663-52-M12-50-2.5	52	M 12	50	19	32	54	15.5	2.5	254
GN 3663-52-M12-50-3	52	M 12	50	19	32	54	15.5	3	255
GN 3663-52-M12-50-4	52	M 12	50	19	32	54	15.5	4	257
GN 3663-52-M12-63-2.5	52	M 12	63	19	32	54	15.5	2.5	260
GN 3663-52-M12-63-3	52	M 12	63	19	32	54	15.5	3	262
GN 3663-52-M12-63-4	52	M 12	63	19	32	54	15.5	4	264
GN 3663-62-M10-25-3	62	M 10	25	19	33	54	15.5	3	262
GN 3663-62-M10-25-4	62	M 10	25	19	33	54	15.5	4	263
GN 3663-62-M10-25-5.5	62	M 10	25	19	33	54	15.5	5.5	264
GN 3663-62-M10-32-3	62	M 10	32	19	33	54	15.5	3	266
GN 3663-62-M10-32-4	62	M 10	32	19	33	54	15.5	4	267
GN 3663-62-M10-32-5.5	62	M 10	32	19	33	54	15.5	5.5	268
GN 3663-62-M10-40-3	62	M 10	40	19	33	54	15.5	3	270
GN 3663-62-M10-40-4	62	M 10	40	19	33	54	15.5	4	271
GN 3663-62-M10-40-5.5	62	M 10	40	19	33	54	15.5	5.5	272
GN 3663-62-M10-50-3	62	M 10	50	19	33	54	15.5	3	276
GN 3663-62-M10-50-4	62	M 10	50	19	33	54	15.5	4	277
GN 3663-62-M10-50-5.5	62	M 10	50	19	33	54	15.5	5.5	278
GN 3663-62-M10-63-3	62	M 10	63	19	33	54	15.5	3	281
GN 3663-62-M10-63-4	62	M 10	63	19	33	54	15.5	4	282
GN 3663-62-M10-63-5.5	62	M 10	63	19	33	54	15.5	5.5	283
GN 3663-62-M12-25-3	62	M 12	25	19	33	54	15.5	3	269
GN 3663-62-M12-25-4	62	M 12	25	19	33	54	15.5	4	270
GN 3663-62-M12-25-5.5	62	M 12	25	19	33	54	15.5	5.5	272
GN 3663-62-M12-32-3	62	M 12	32	19	33	54	15.5	3	273
GN 3663-62-M12-32-4	62	M 12	32	19	33	54	15.5	4	274
GN 3663-62-M12-32-5.5	62	M 12	32	19	33	54	15.5	5.5	275
GN 3663-62-M12-40-3	62	M 12	40	19	33	54	15.5	3	278
GN 3663-62-M12-40-4	62	M 12	40	19	33	54	15.5	4	279
GN 3663-62-M12-40-5.5	62	M 12	40	19	33	54	15.5	5.5	280
GN 3663-62-M12-50-3	62	M 12	50	19	33	54	15.5	3	286
GN 3663-62-M12-50-4	62	M 12	50	19	33	54	15.5	4	287
GN 3663-62-M12-50-5.5	62	M 12	50	19	33	54	15.5	5.5	288
GN 3663-62-M12-63-3	62	M 12	63	19	33	54	15.5	3	295
GN 3663-62-M12-63-4	62	M 12	63	19	33	54	15.5	4	296
GN 3663-62-M12-63-5.5	62	M 12	63	19	33	54	15.5	5.5	297

Clamping knobs 2